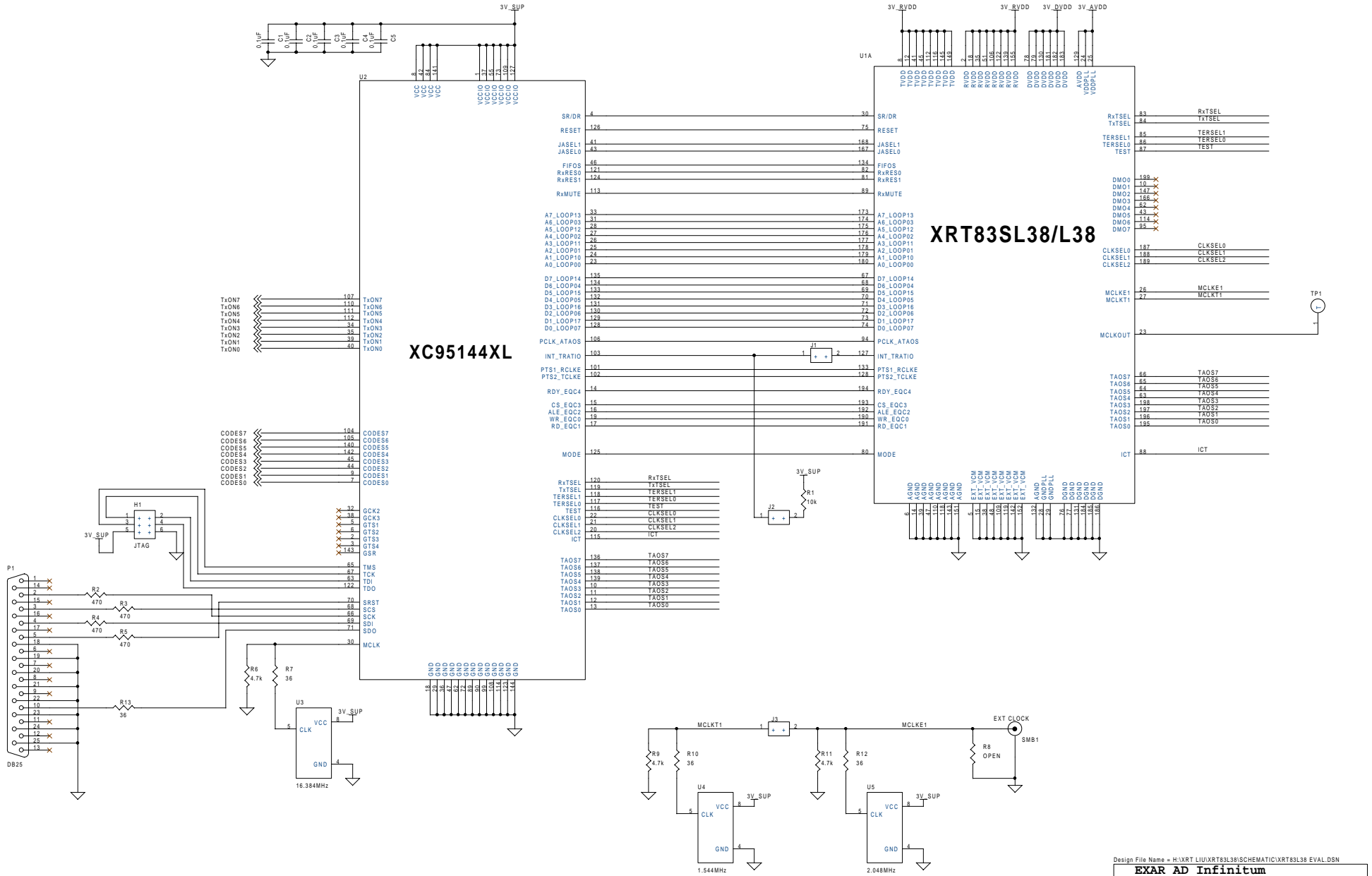


XRT83SL38/L38 OCTAL LONG HAUL, SHORT HAUL LIU MAIN INTERFACE



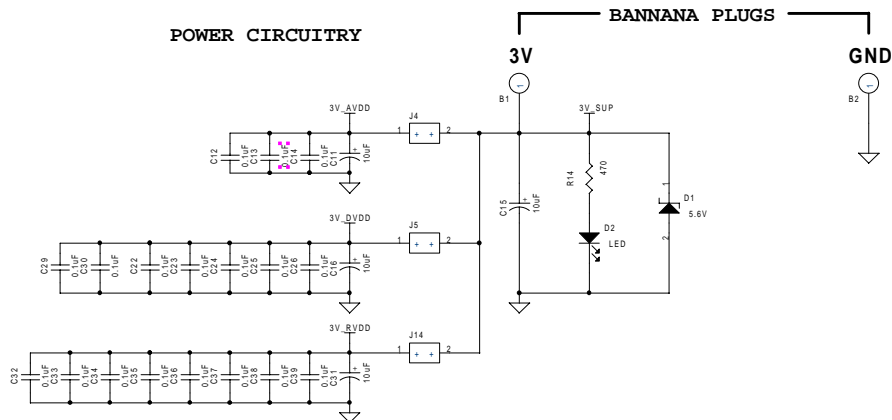
**XRT83SL38/L38**

**XC95144XL**

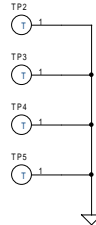
Design File Name = H:\XRT LIU\XRT83SL38\SCHEMATIC\XRT83SL38 EVAL.DSN

<b>EXAR AD Infinitum</b>		
File	XRT83SL38/L38	
Size	Document Number	Rev
C	XRT83SL38/L38 LONG HAUL, SHORT HAUL LIU	D
Date:	Tuesday, September 17, 2002	Sheet 1 of 3

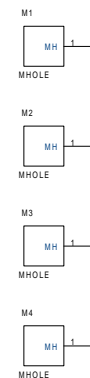
**POWER CIRCUITRY**



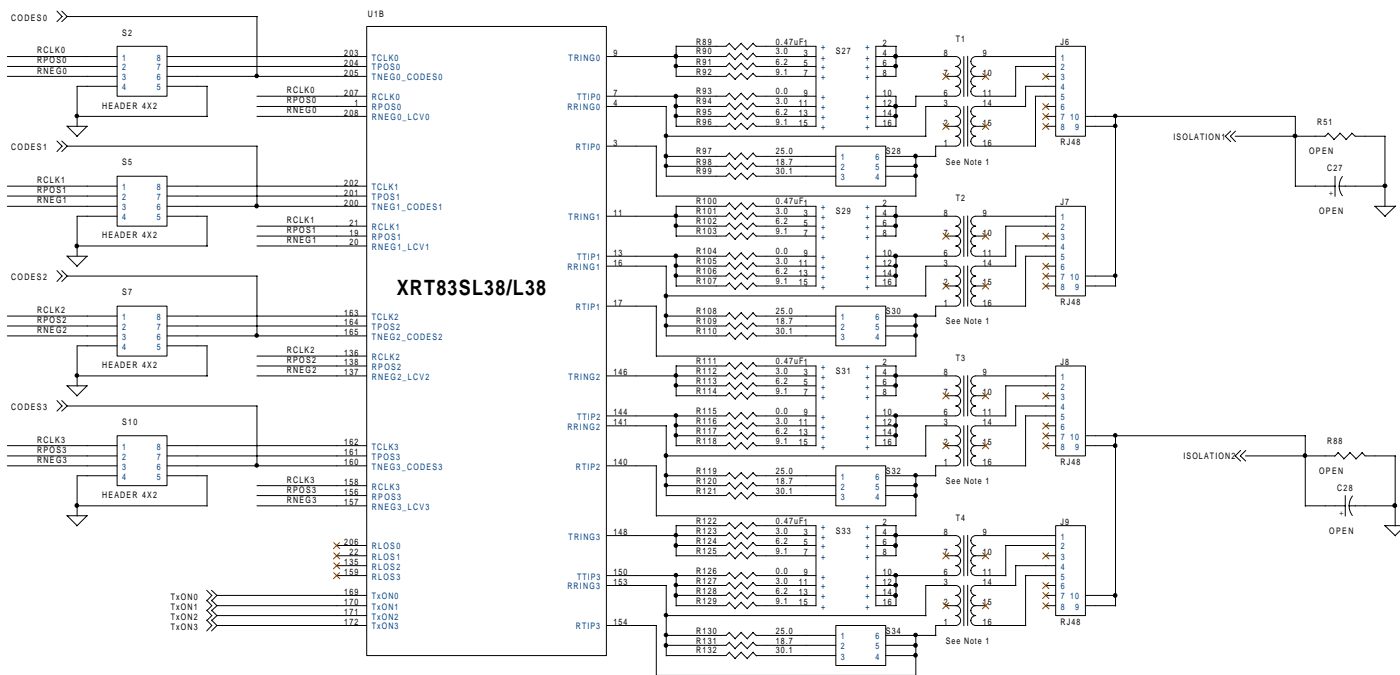
**GROUND POINTS**



**MOUNTING HOLES**



**LIU TRANSMIT AND RECEIVE**



Tx=1:2, Rx=1:1

Note 1: Transformer Selection

TRANSPOWER SMD606-05

HALO TG74-1505N1

Design File Name = H:\XRT LIU\XRT83L38\SCHEMATIC\XRT83L38 EVAL.DSN

<b>EXAR AD Infitum</b>			
File	XRT83SL38/L38		
Size	Document Number	Rev	D
C	XRT83SL38/L38 LONG HAUL, SHORT HAUL LIU		
Date:	Tuesday, September 17, 2002	Sheet	2 of 3

LIU TRANSMIT AND RECEIVE

